

## 1. Scope

This specification applies to precast concrete open bottom and enclosed vaults that are 42" W x 42" L and their corresponding concrete covers and pads specifically for electrical use.

## 2. Material ID Numbers

The following vault Cat. ID's shall conform to the corresponding diagram dimensions:

### 2.1 Vaults and Vault Assemblies

Material ID	Description	Section
766206	42" x 42" x 30" for Padmount Transformer w/ 25"W x 21"D Blockout	9.1
766214	42" x 42" x 30" for 1Ø J-Box Cabinet w/ 25"W x 11"D Blockout	9.2

### 2.2 Covers and Pads

Material ID	Description	Section
781501	42" x 42" x 6" w/ 21" x 25" Access Hole, 2-Pc, Padmount Transformer	9.3
1002167	42" x 42" x 6" w/ 11" x 25" Blockout (for raising 1Ø J-Box Cabinet)	9.4

## 3. Referenced Standards

All material, accessories, and marking for District vaults, pads, and covers shall adhere to the specifications of District Material Standard VAULTMAT1.

## 4. Pulling Irons

Vaults shall be equipped with 1/2" pulling irons located in the lower corners, unless otherwise specified by the District.

## 5. Interior equipment mounting hardware

All vaults shall be equipped with interior equipment mounting hardware.

## 6. Lifting inserts

All vaults, covers, and pads shall be equipped with threaded-type lifting inserts as appropriate for the structure's weight.

## 7. Identification

All vaults, covers, and pads shall be marked in compliance with VAULTMAT1.

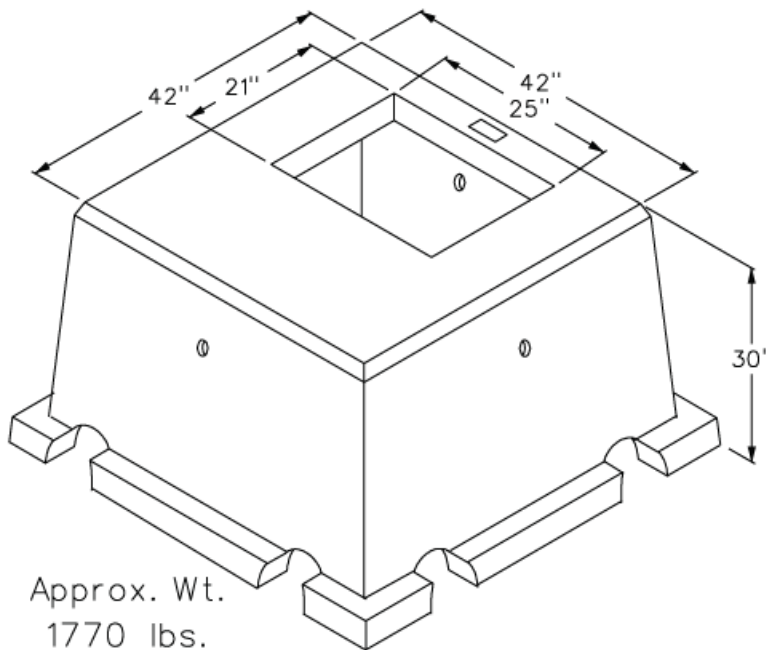
## 8. Hatch Covers

All hatch covers shall be constructed of H-20 rated Diamond Plate unless otherwise specified by the District. In individual cases where this is not sufficient, the District shall have the option to specify a Port Authority rating and/or a SlipNot™ finish.

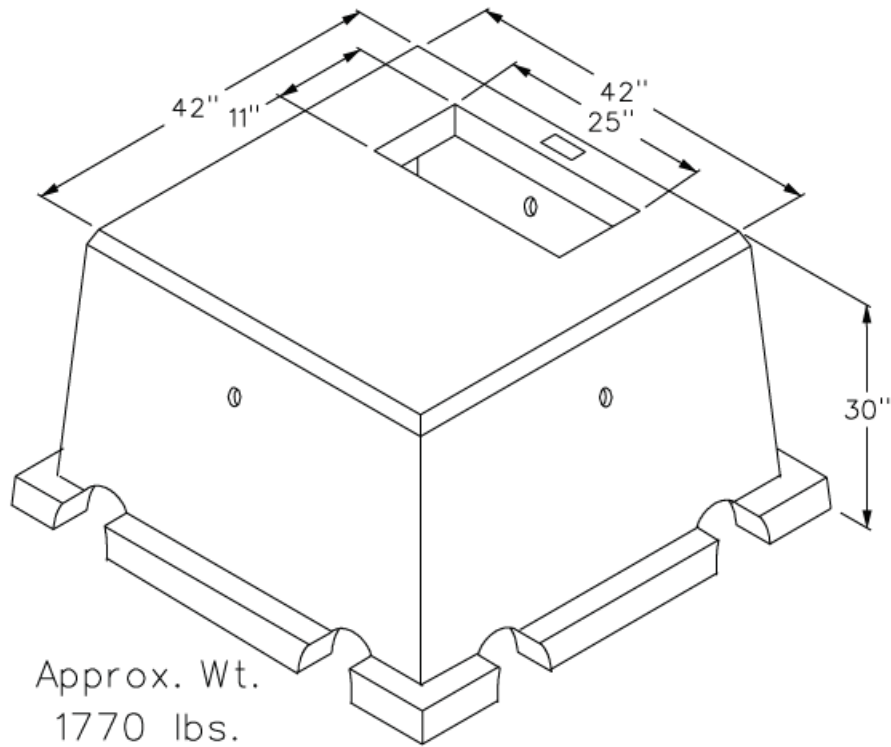
## 9. Dimensions

Vaults, pads, and covers shall have the following dimensions and knockout distribution (where applicable). Note that multiple covers may fit each vault and that covers may have the same dimensions with different accessories, i.e. Diamond Plate Hatch vs. Steel Plate w/ SlipNot™ Hatch.

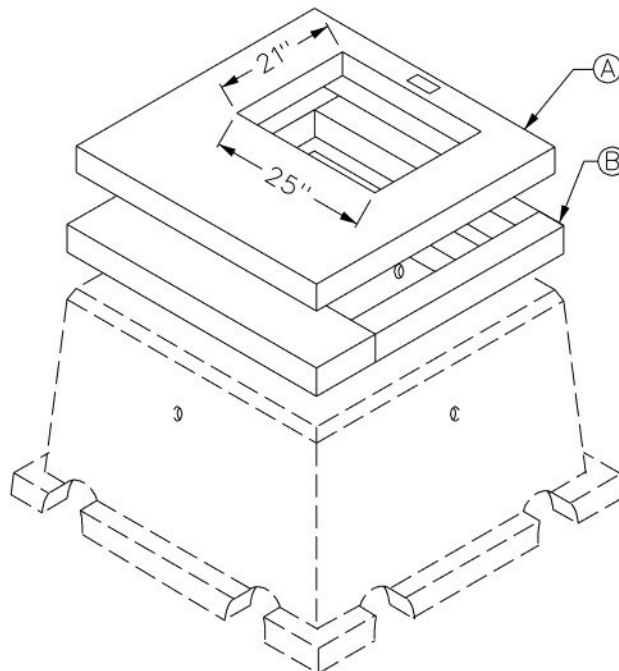
### 9.1 42" x 42" x 30" for Padmount Transformer w/ 25"W x 21"D Blockout



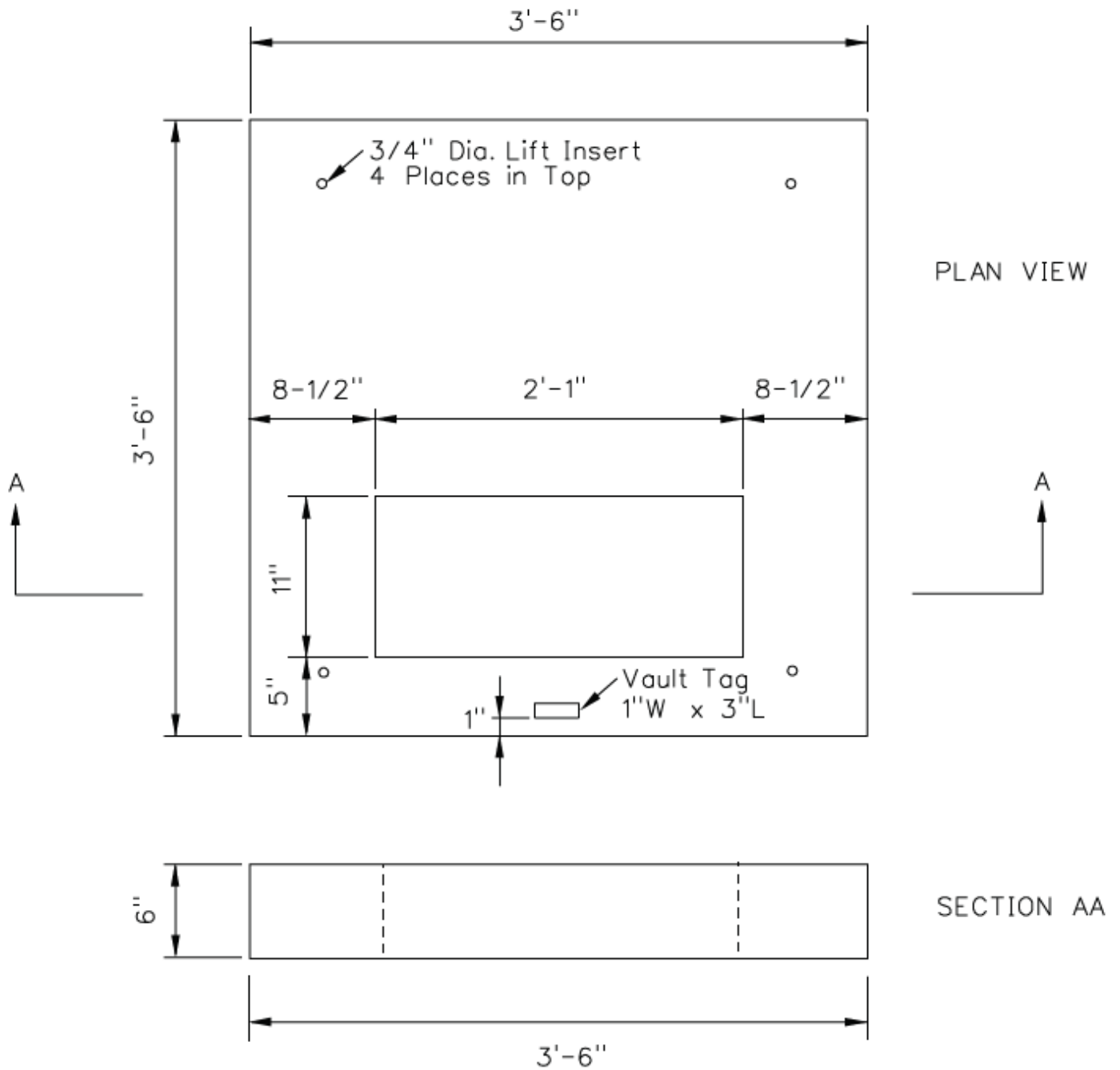
**9.2 42" x 42" x 30" for J-Box Cabinet w/ 25"W x 11"D Blockout**



**9.3 42" x 42" x 6" w/ 21" x 25" Access Hole, 2-Pc, Padmount Transformer**



**9.4 42" x 42" x 6" w/ 11" x 25" Blockout (for raising 1Ø J-Box Cabinet)**



**FIGURE 1**